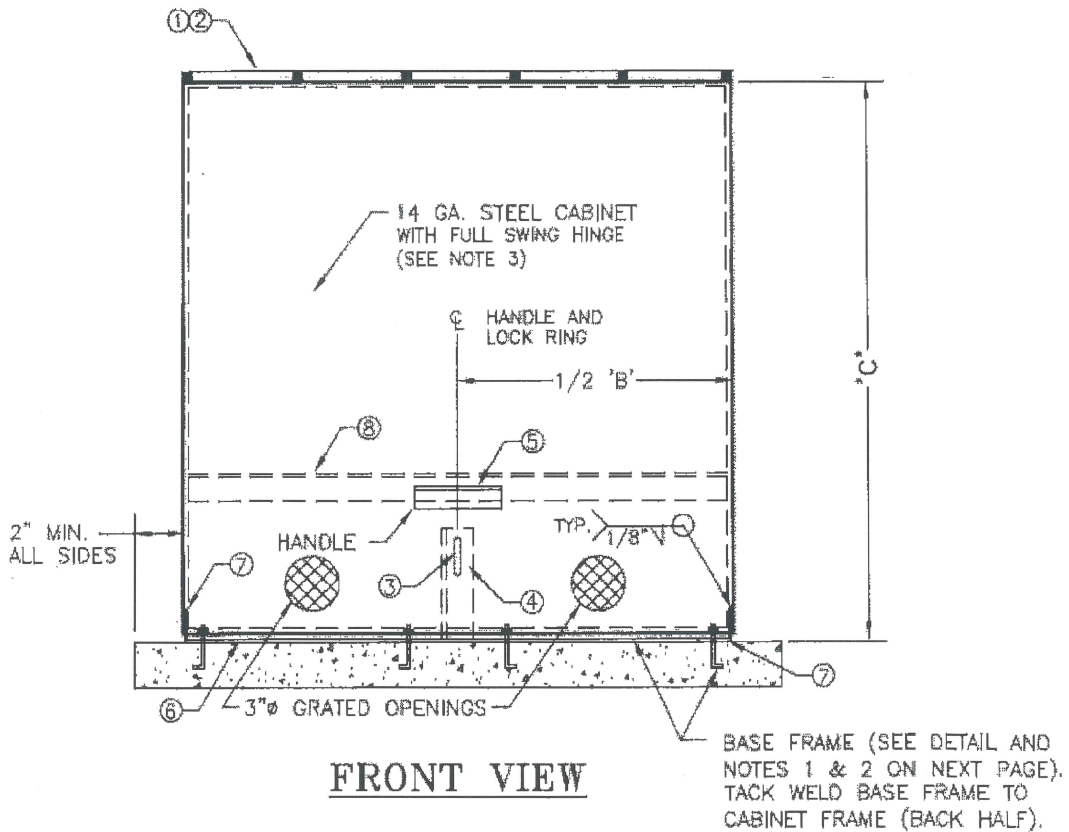
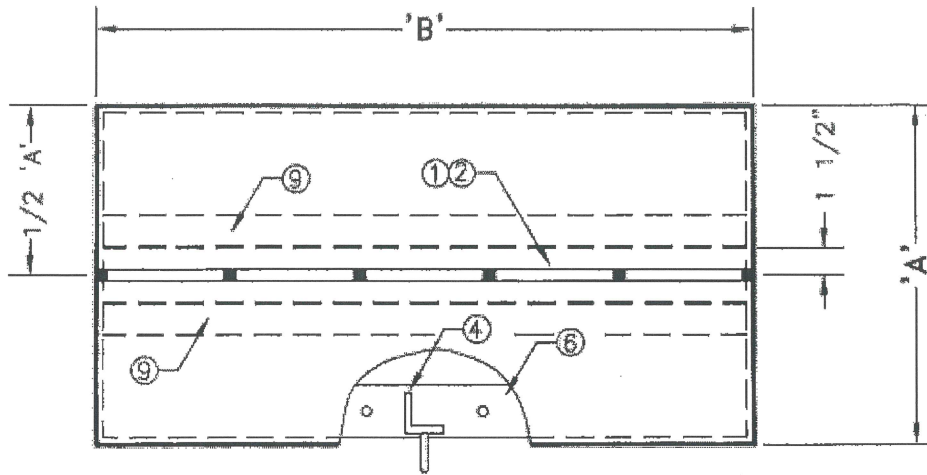


SECTION 132.25

BACKFLOW DEVICE ENCLOSURE - 3/4" THROUGH 2"

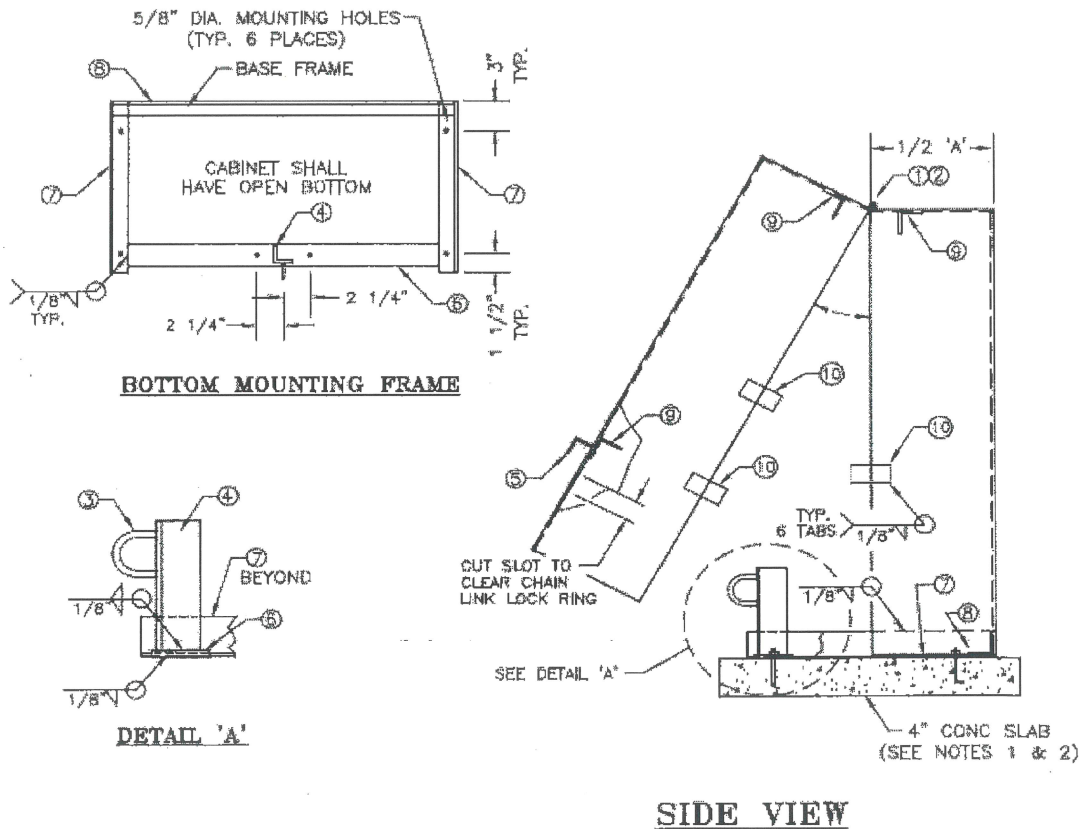


FRONT VIEW

CABINET DIMENSIONS			
DIMENSIONS FOR:	'A'	'B'	'C'
3/4" & 1" DEVICES	12 1/2"	25"	25"
1 1/2" & 2" DEVICES	20 1/2"	32"	25"

* DIMENSIONS MAY VARY TO ACCOMMODATE NON-TYPICAL FIRE SERVICE DEVICE INSTALLATION

BACKFLOW DEVICE ENCLOSURE – Page 2



MATERIALS LIST FOR BACKFLOW DEVICE ENCLOSURE

ITEM NO.	DESCRIPTION	LENGTH FOR DEVICES:		QTY
		3/4" & 1"	1 1/2" & 2"	
①	5/16" COLD ROLL HINGE PIN	25"	32"	1
②	1/4" PIPE HINGE	25"	32"	1
③	1/4" x 1 1/2" x 1 1/2" CHAIN LINK	n/a	n/a	1
④	1/4" x 1 1/2" x 1 1/2" ANGLE	5"	5"	1
⑤	1/8" x 1" x 1" ANGLE HANDLE	4"	4"	1
⑥	1/4" x 2" FLAT BAR	22"	29"	1
⑦	1/8" x 1 1/2" x 1 1/2" ANGLE	12 1/2"	20 1/2"	2
⑧	1/8" x 1 1/4" x 1 1/4" ANGLE BRACE	24 3/4"	31 3/4"	1
⑨	1/8" x 1 1/4" x 1 1/4" ANGLE BRACE	25"	32"	3
⑩	1/8" x 1" ALIGNMENT TABS	2"	2"	6

NOTES:

1. Cabinet shall be mounted on a 4" thick concrete slab with 3/8" x 4" "J" Bolts (Type of 6). Slab to extend minimum of 2" beyond cabinet.
2. All piping passing through slab shall pass through a PVC sleeve for the full thickness of the slab. The sleeve shall have a diameter 1/2" larger than that of the pipe.
3. Cabinet shall be painted with olive green powder coat paint inside and out.
4. Backflow enclosures shall meet manufacturer's specifications for all clearances and provide access for testing and maintenance as required.

Section 132.25 – Backflow Device Enclosure
 August 19, 2020
 Centerville CSD

Approved: _____
 District Manager