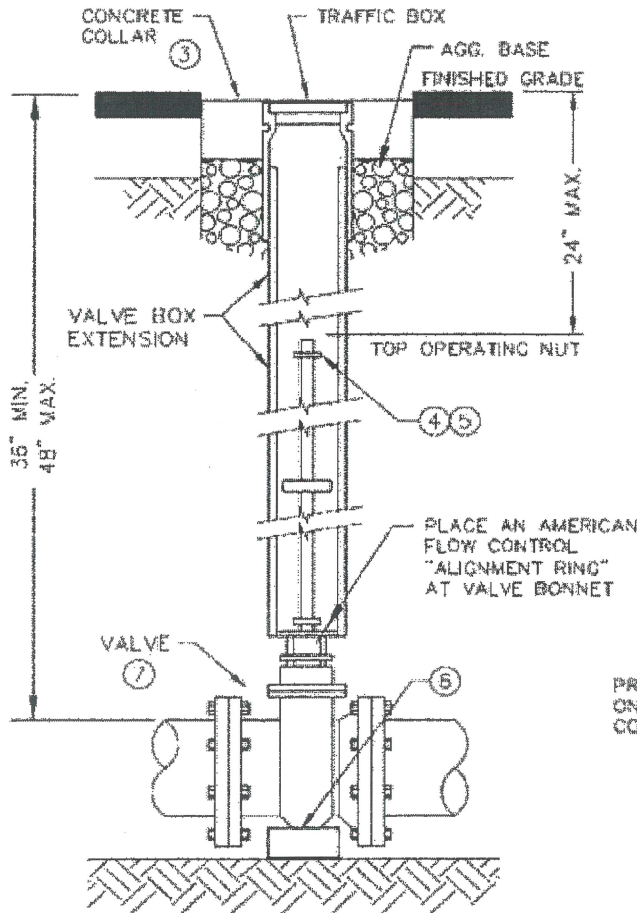


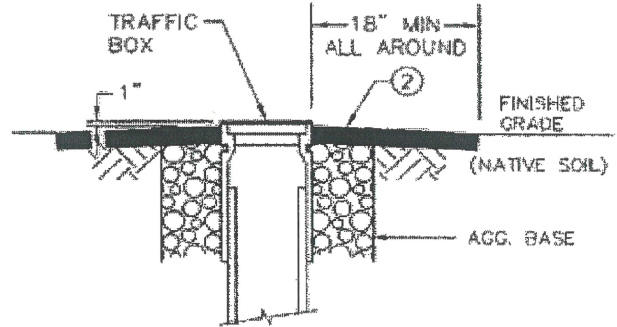
SECTION 104.00

WATER VALVE DETAILS



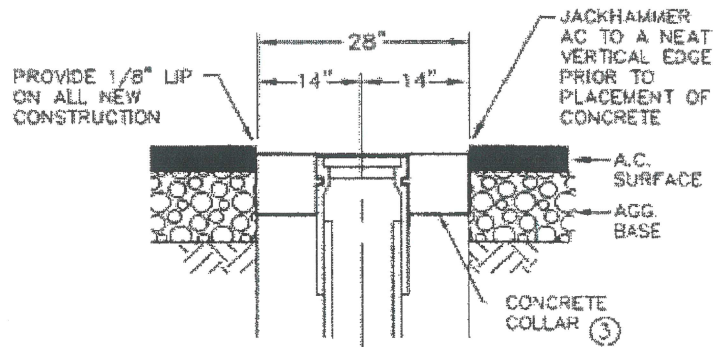
OPERATING NUT EXTENSION DETAIL

REQUIRED WHERE DISTANCE BETWEEN FINISHED GRADE AND TOP OF OPERATING NUT EXCEED 36 INCHES



VALVE BOX PLACEMENT

UNPAVED LOCATION DETAIL
* SEE NOTE 2



VALVE BOX ADJUSTMENT

PAVED LOCATION DETAIL

NOTES:

1. All materials shall be per approved materials as listed on Section 100.01.
2. Place 4" thick PCC Collar 18" around Valve Box. Both paved and unpaved.
3. 28" Dia. x 12" concrete collar. Place concrete flush with AC surface on existing streets, or unpaved locations.
4. Operating nut extension shall be pinned to valve operating nut with a 6" diameter plate washer welded to extension at midpoint of rod (minimum length of rod shall be 24" and shall bring top operating nut within 24" of finish grade).
5. No operating nut extension required where distance between finished grade and top of valve operation nut is less than 48".
6. Provide concrete support under 12" & larger valves. Solid concrete block may be installed on smooth undisturbed soil, otherwise pour concrete pad.
7. When valve is in an up-lift situation, see Anchor Block detail, Section 103.00.